

Gateway

User Manual

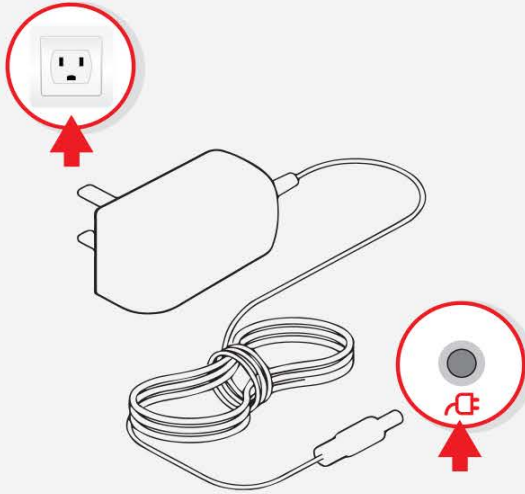
Model: GWN71517

Start Here

Exterior Features

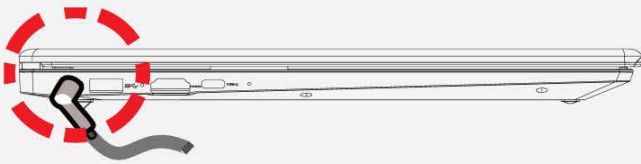
1

Plug Power Adapter Into Wall Outlet



2

Plug Power Adapter Into Laptop



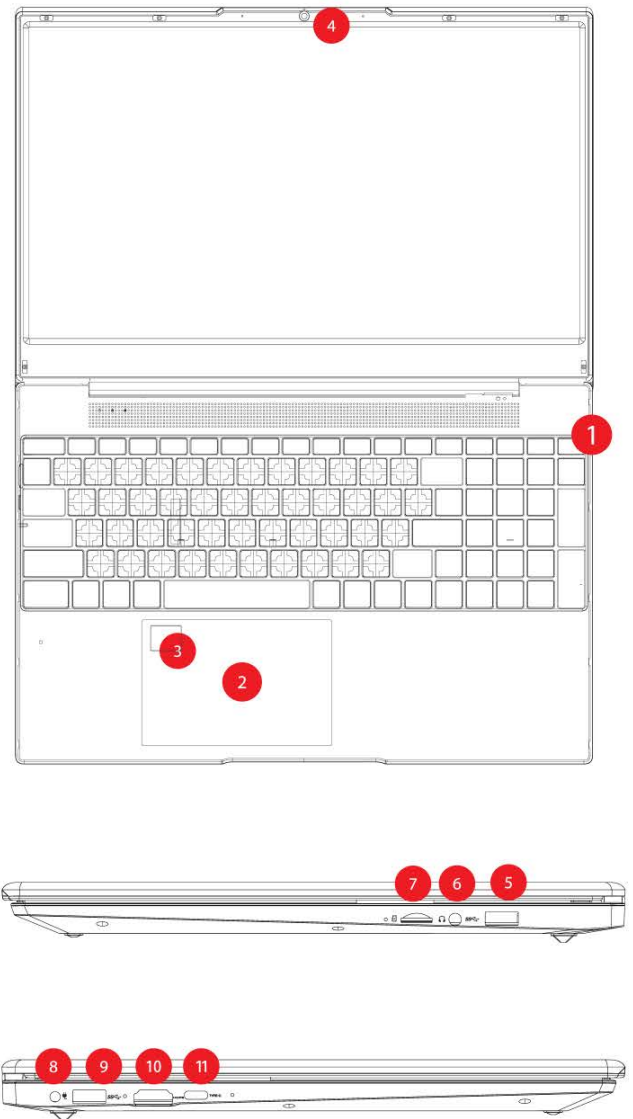
3

Press and Release the Power Button



4

Follow the on screen Windows prompts to finish setting up



- 1 Power Button
- 2 Touchpad
- 3 Fingerprint Scanner
- 4 Camera
- 5 USB Port
- 6 Headphone Port
- 7 Micro SD Slot
- 8 Charging Port
- 9 USB Port
- 10 HDMI Port
- 11 USB Type-C

What's in the box

- 1 Laptop
- 2 Power Adapter
- 3 Quick Start Guide
- 4 Warranty Book

Caution: The AC adapter included with your PC was specifically designed and approved for your model. Utilization of an after-market adapter may damage either the notebook or other devices connected to it. If damage is determined to have been caused by utilization of an unauthorized power supply, it will not be protected under warranty.

For our FAQ, please visit www.gatewayusa.com/support.html.

Gateway and the Gateway logo are the registered trademarks of Acer Inc. and are used under license from Acer America Corporation.

www.gatewayusa.com | Customer Service: (877) 777-0649

Notice

The information in this user's manual is protected by copyright laws, all parts of this manual, including the products and software described in it, can not be reproduced, transmitted, transcribed, stored in a retrieval system, nor translated into any language.

THE MANUFACTURER OR RESELLER SHALL NOT BE LIABLE FOR ERRORS OR OMISSIONS CONTAINED IN THIS MANUAL AND SHALL NOT BE LIABLE FOR ANY CONSEQUENTIAL DAMAGES, WHICH MAY RESULT FROM THE PERFORMANCE OR USE OF THIS MANUAL.

The illustrations in this user's manual are for reference only. Actual product specifications may vary with territories.

The information in this user's manual is subject to change without notice.

TABLE OF CONTENTS

Notice	3
Chapter 1: Preface.....	5
1.1 Regulations Information.....	6
FCC Information.....	7
RF Exposure Information (SAR).....	8
1.2 Safety Instructions.....	9
1.3 Conventions for this Manual.....	10
Chapter 2: Getting to know the basics	11
2.1 Product Specification.....	12
2.2 Preparing your Computer	16
2.3 Product Overview	17
Chapter 3: Getting started.....	19
3.1 AC Adapter	20
3.2 Knowing the Keyboard	21

Chapter 1

Preface

1.1 Regulations Information

* CE compliance

This device is classed as technical information equipment (ITE) in class B and is intended for living room and office use.

The CE-mark approves the conformity by the EU-guidelines:

- EMC Directive 2014/30/EU,
- Low Voltage Directive 2014/35/EU(equals A2 : 2013)
- RF Directive 2014/53/EU

SAR/DAS refers to the rate at which the body absorbs RF energy.

The SAR limit set by the ICNIRP Guidelines is 2.0 W/kg(10g).

Testing for SAR is conducted using standard operating positions accepted by the EN standard. During testing, the radio is set to its highest transmission levels and placed in positions that simulate use against the body.

This product is compliant with ICNIRP Guidelines with respect to Electromagnetic Fields (EMF) which specifies a Specific Absorption Rate (SAR) limit of 2W/kg. DAS*/SAR: 0.38W/kg (corps/body).



Rechargeable Battery Notice

Do not

- 1.Throw into fire, hot oven, mechanically crush or cut open the BATTERY
- 2.Throw or immerse into water
- 3.Heat to more than 60°C
- 4.Repair or disassemble
- 5.Leave in an extremely low air pressure environment
- 6.Leave in an extremely high-temperature environment

A power cord is connected to a socket-outlet with earthing connection



The unit can be operated at an ambient temperature of max. 35°C (95°F). Do not subject it to temperatures below 5°C (41°F) or above 40°C (104°F).

CAUTION: RISK OF EXPLOSION IF BATTERY IS REPLACED BY AN INCORRECT TYPE
DISPOSE OF USED BATTERIES ACCORDING TO THE INSTRUCTIONS.



PREVENTION OF HEARING LOSS

CAUTION: Listening to music at high volume levels and for extended durations can damage one's hearing. In order to reduce the risk of damage to hearing, one should lower the volume to a safe, comfortable level, and reduce the amount of time listening at high levels. Headsets should comply with EN 50332-2 requirements.



FCC Information

FEDERAL COMMUNICATIONS COMMISSION INTERFERENCE STATEMENT

This equipment has been tested and found to comply with the limits for a Class B digital device, pursuant to part 15 of the FCC Rules. These limits are designed to provide reasonable protection against harmful interference in a residential installation. This equipment generates, uses and can radiate radio frequency energy and, if not installed and used in accordance with the instructions, may cause harmful interference to radio communications. However, there is no guarantee that interference will not occur in a particular installation. If this equipment does cause harmful interference to radio or television reception, which can be determined by turning the equipment off and on, the user is encouraged to try to correct the interference by one or more of the following measures:

- Reorient or relocate the receiving antenna.
- Increase the separation between the equipment and receiver.
- Connect the equipment into an outlet on a circuit different from that to which the receiver is connected.
- Consult the dealer or an experienced radio/ TV technician for help.



CAUTION: Any changes or modifications not expressly approved by the grantee of this device could void the user's authority to operate the equipment.

RF Exposure Information (SAR)

This device meets the government's requirements for exposure to radio waves. This device is designed and manufactured not to exceed the emission limits for exposure to radio frequency (RF) energy set by the Federal Communications Commission of the U.S. Government.

The exposure standard employs a unit of measurement known as the Specific Absorption Rate, or SAR. The SAR limit set by the FCC is 1.6 W/kg. Tests for SAR are conducted using standard operating positions accepted by the FCC with the EUT transmitting at the specified power level in different channels.

The FCC has granted an Equipment Authorization for this device with all reported SAR levels evaluated as in compliance with the FCC RF exposure guidelines. SAR information on this device is on file with the FCC and can be found under the Display Grant section of www.fcc.gov/eot/ea/fccid after searching on FCC ID: 2AKHFAX200NG.

This device complies with Part 15 of the FCC Rules.

Operation is subject to the following two conditions:

- (1) this device may not cause harmful interference, and
- (2) this device must accept any interference received, including interference that may cause undesired operation.



CAUTION: Any changes or modifications not expressly approved by the grantee of this device could void the user's authority to operate the equipment.

1.2 Safety Instructions



- 01 Do not apply heavy pressure to the computer or subject it to any form of strong impact as this can damage the computer's components or otherwise cause it to malfunction.
- 02 Never cover or block the air vents including those located at the base of the computer. Never cover your computer or AC adapter with any object.
- 03 To keep your computer in prime operating condition, protect your work area from direct sunlight.
- 04 Do NOT expose to or use near liquid, rain, or moisture.
Do NOT use the modem during electrical storms.
- 05 Do not use or expose this device around magnetic fields as magnetic interference may affect the performance of the device.

1.3 Conventions for this Manual



CAUTION: This message contains important information that must be followed for safe operation.



NOTE: This message contains information for special situations.

1.3 Conventions for this Manual

Date	Version	Revision
03/2022	1.0	Initial release

Chapter 2

Getting to know the basics

2.1 Product Specification

This User's Manual provides technical information, instructions and illustrations on how to operate this notebook. Please read this manual carefully before using this notebook.

PHYSICAL CHARACTERISTIC

•Dimension

Length: 14.1" x Width: 9.4" x Height: 0.78"

Weight: 1.77kg / 3.95lb

CPU

•Support Processor

Ryzen 7 3700U Processor with Radeon™ RX Vega 10 Graphics

Quad Core

2.3GHz/4.0GHz

15W

GPU

•Graphics Card

Integrated

MEMORY

•RAM

8 GB DDR4 on board

DISPLAY

•LCD

15.6" IPS FHD Display, (1920 x 1080), 200-250 nits

I/O PORTS

DC-in.....x 1

USB.....USB 3.0 @Right side x1

.....USB 3.0 @Left side x1

.....USB Type C @Left side x1

HDMI.....x 1

Headphone Port.....x 1

Card Reader.....(USB2.0 interface, SD/SDHC/SDXC, UHS-I speed Connector: Full SD size)

AUDIO

• Audio Codec Realtek ALC269

*THX (Spatial Audio)

•Speaker/MIC

*Built-in dual speakers

*Digital Microphone support

INPUT

•Keyboard

Membrane single zone RGB backlight support

19V 3.15A 3.5 mm

*US/UK plate

•Pointing Device

TDA1470 (114.5*70*0.8mm)

TP mylar

Enable/Disable area :10mmx10mm

Palm Rejection:Support

Controller IC change to 1836, support Windows update

Communication Port

•LAN

*Supports 10/100/1000/2500 Mb/sec

•Wireless LAN

*AC b/g/n /RTL8821CU

WEBCAM

- Front Camera

2.0 MP Front-Facing

POWER

- AC Adapter

19V 3.15A 3.5 mm

- Battery

11.4V 5200mAh 3 Cells

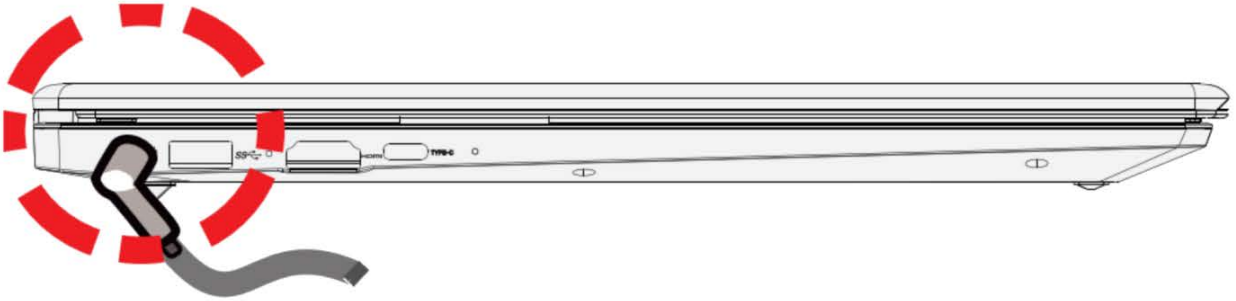
Battery Life: 10 Hours 9 Seconds



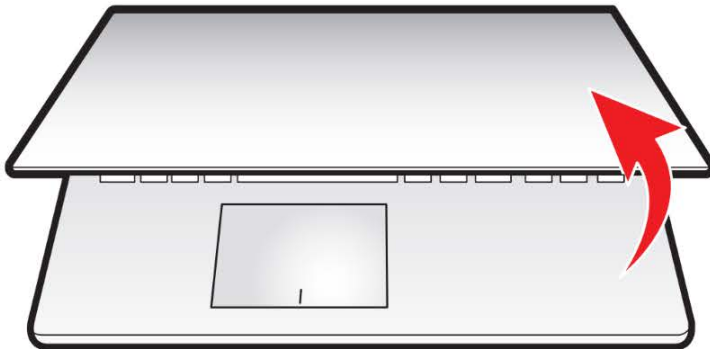
CAUTION: MODEL IS DESIGNED TO BE USED WITH
THE DC INPUT: 180 Watts (19.5V/9.23A),

2.2 Preparing your Computer

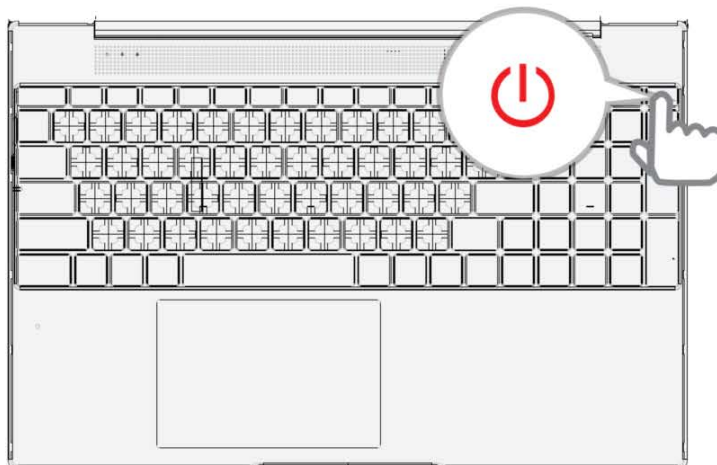
- A** Connect the AC adapter's DC output plug to the DC IN jack.



- B** The display panel can be opened to a wide range of angles for optimal viewing. Press the power button to turn on your notebook computer.



- C** Press the power button to turn on your notebook computer.



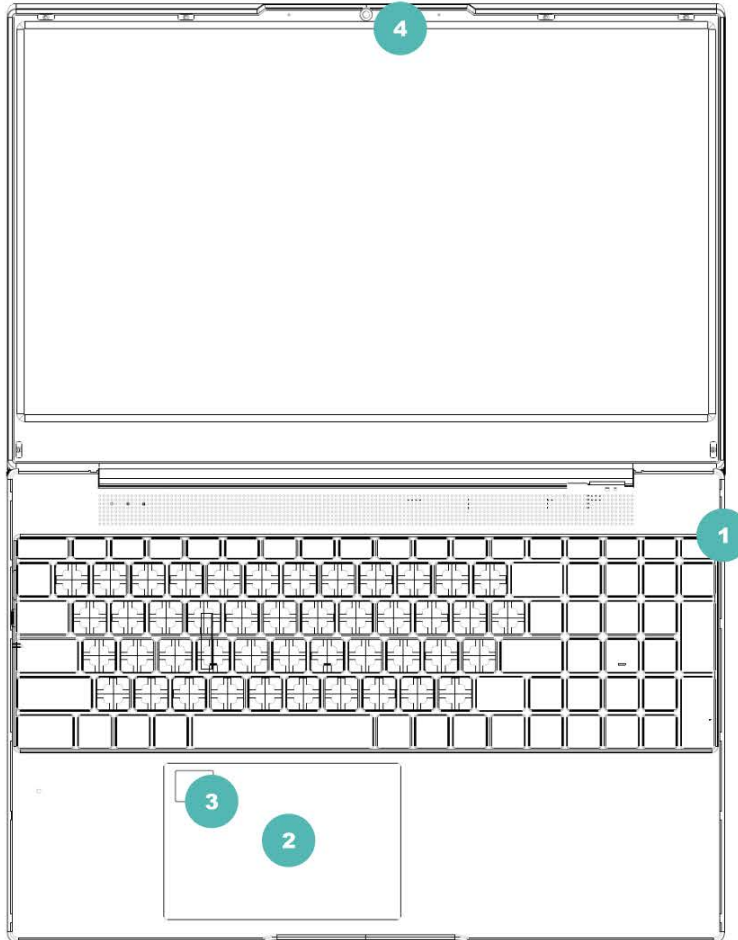
2.3 Product Overview

Please become familiar with each component before you operate the computer.

Top-Open View

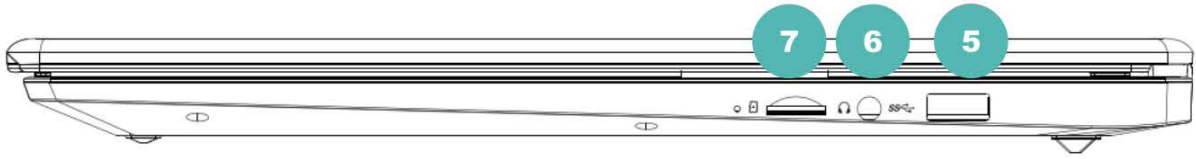


NOTE: The product's color/ LED color, I/O port, indicator location, and specification will depend upon the actually shipping product.



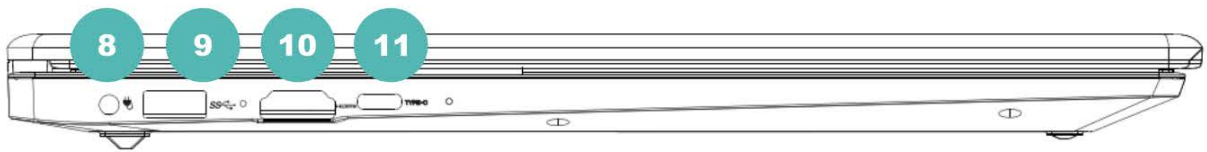
- 1 Power Button**
Used to power on or turn off the computer
- 2 Touchpad**
Touch-sensitive pointing device which functions like the mouse
- 3 Fingerprint Scanner**
Biometric security lock system used to secure your device
- 4 Camera**
A device that allows you to record video or take photographs with your computer

Right Side View



- 5 USB Port**
Connects a USB device (such as USB Zip drive, keyboard or mouse) into this jack
- 6 Headphone Port**
Allows you to plug in headphones or earphones to listen to the computer's audio
- 7 Micro SD Slot**
Used to increase storage capacity by installing a micro SD card

Left Side View



- 8 Charging Port**
The port used to connect the power adapter
- 9 USB Port**
Connects a USB device (such as USB Zip drive, keyboard or mouse) into this jack
- 10 HDMI Port**
High-Definition Multimedia Interface port used for HD video
- 11 USB Type-C**
Connects a USB device (such as USB Zip drive, keyboard or mouse) into this jack

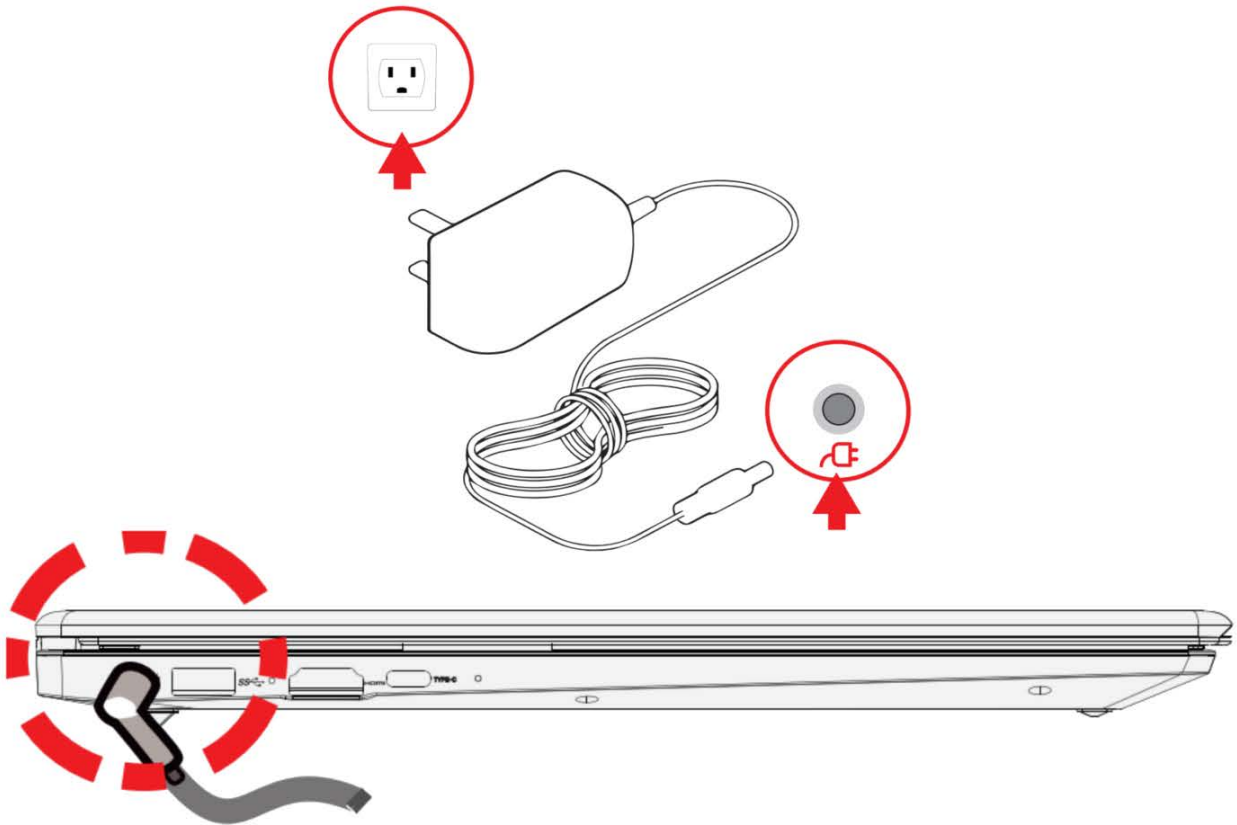
Chapter 3

Getting started

3.1 AC Adapter

Please be noted that it is strongly recommended to connect the AC adapter and use the AC power while using this notebook for the first time. When the AC adapter is connected, the battery is being charged immediately. Attach the AC adapter when you need to charge the battery or you want to operate from AC power. It is also the fastest way to get started, because the battery pack will need to be charged before you can operate from battery power.

Note that the AC adapter included in the package is approved for your notebook; using other adapter model may damage either the notebook or other devices attached to it.



CAUTION: The use of inferior extension cords may result in damage to your notebook. Your notebook comes with its own authorized AC adapter. Use of a different AC adapter or cable extension which is not authorized for use will void warranty protection if damage to hardware is found in association to said adapter or extension cable.



NOTE: The power adapter can become hot when in use. Please be sure the AC adapter is not covered with any materials keep it away from exposed parts of your body. The AC adapter appearance may vary depending on your region.

